

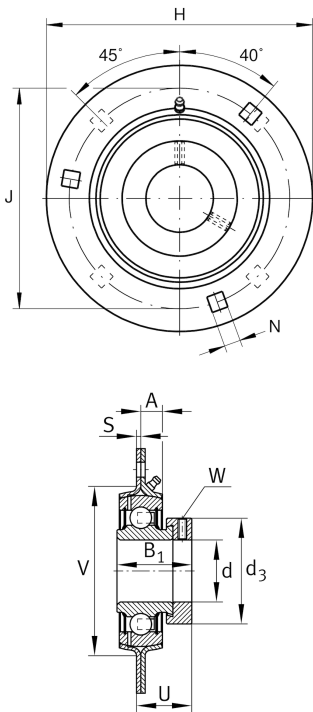
**GRA25-XL**

## Flanged housing unit

Housing units GRA, three/four-bolt flanged housing units, sheet steel, eccentric locking collar, P seals

X-life

## Technical information



## Your current product variant

Material	Steel sheet
----------	-------------

## Main Dimensions &amp; Performance Data

d	25 mm	Bore diameter
H	95 mm	Height flange
H	95 mm	Flange width
U	25,5 mm	Total height unit
B <sub>1</sub>	31 mm	Locking collar total width
C <sub>ur</sub>	410 N	Fatigue load limit, radial
C <sub>r</sub>	14.900 N	Basic dynamic load rating, radial
C <sub>0r</sub>	7.800 N	Basic static load rating, radial
C <sub>0rG</sub>	3.650 N	Load carrying capacity (housing)
m	0,34 kg	Weight

## Mounting dimensions

J	76 mm	Pitch circle diameter (holes)
N	8,7 mm	Fixing square
n	3	Number of screwing holes
n	3	Number of screws



### Dimensions

A	8,7 mm	Height housing
S	2 mm	Thickness of flange
V	60 mm	Shoulder diameter housing
d <sub>3</sub>	37,5 mm	Outside diameter eccentric locking collar
d <sub>3</sub>	37,5 mm	Outside diameter locking collar/locknut

### Additional information

1	Number of housings
1	Number of housings 2
FLAN52-MSB	Housing
FLAN52-MSA	Housing (Part 2)
EXZ	Fixing
GRAE25-XL-NPP-B	Bearing designation

### Temperature range

T <sub>min</sub>	-20 °C	Operating temperature min.
T <sub>max</sub>	120 °C	Operating temperature max.