

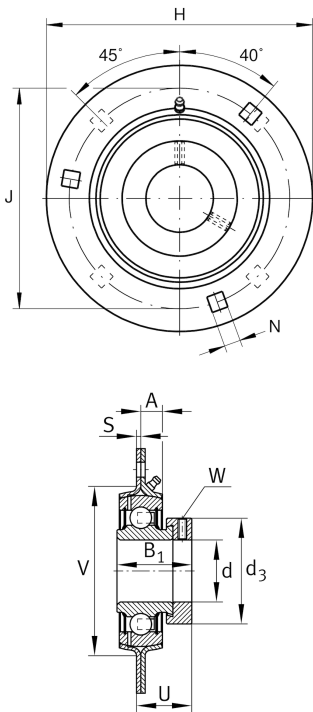
**GRA45-XL**

Flanged housing unit

Housing units GRA, three/four-bolt flanged housing units, sheet steel, eccentric locking collar, P seals

X-life

Technical information



Your current product variant

Material	Steel sheet
----------	-------------

Main Dimensions & Performance Data

d	45 mm	Bore diameter
H	149,2 mm	Height flange
H	149,2 mm	Flange width
U	36,2 mm	Total height unit
B ₁	43,8 mm	Locking collar total width
C _{ur}	970 N	Fatigue load limit, radial
C _r	32.500 N	Basic dynamic load rating, radial
C _{0r}	20.400 N	Basic static load rating, radial
C _{0rG}	7.700 N	Load carrying capacity (housing)
≈m	1,389 kg	Weight

Mounting dimensions

J	120,5 mm	Pitch circle diameter (holes)
N	13,5 mm	Fixing square
n	4	Number of screwing holes
n	4	Number of screws



Dimensions

A	11,1 mm	Height housing
S	3,5 mm	Thickness of flange
V	95 mm	Shoulder diameter housing
d ₃	37,5 mm	Outside diameter eccentric locking collar
d ₃	63 mm	Outside diameter locking collar/locknut

Additional information

1	Number of housings
1	Number of housings 2
FLAN85-MSB	Housing
FLAN85-MSA	Housing (Part 2)
EXZ	Fixing
GRAE45-XL-NPP-B	Bearing designation

Temperature range

T _{min}	-20 °C	Operating temperature min.
T _{max}	120 °C	Operating temperature max.