

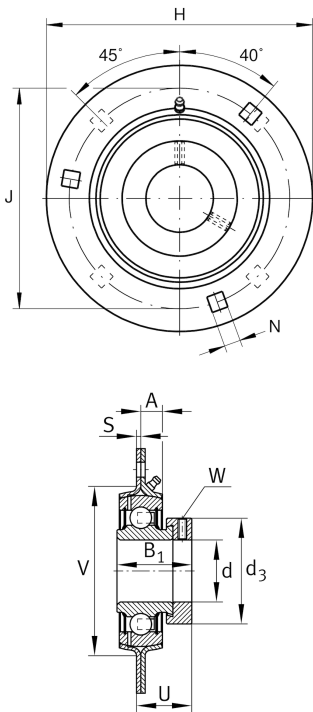
**GRA50-XL**

## Flanged housing unit

Housing units GRA, three/four-bolt flanged housing units, sheet steel, eccentric locking collar, P seals

X-life

## Technical information



## Your current product variant

Material	Steel sheet
----------	-------------

## Main Dimensions &amp; Performance Data

d	50 mm	Bore diameter
H	155,5 mm	Height flange
H	155,5 mm	Flange width
U	36,7 mm	Total height unit
B <sub>1</sub>	43,8 mm	Locking collar total width
C <sub>ur</sub>	1.090 N	Fatigue load limit, radial
C <sub>r</sub>	35.000 N	Basic dynamic load rating, radial
C <sub>0r</sub>	23.200 N	Basic static load rating, radial
C <sub>0rG</sub>	8.600 N	Load carrying capacity (housing)
≈m	1,68 kg	Weight

## Mounting dimensions

J	127 mm	Pitch circle diameter (holes)
N	13,5 mm	Fixing square
n	4	Number of screwing holes
n	4	Number of screws



### Dimensions

A	11,1 mm	Height housing
S	4 mm	Thickness of flange
V	100 mm	Shoulder diameter housing
d <sub>3</sub>	37,5 mm	Outside diameter eccentric locking collar
d <sub>3</sub>	69 mm	Outside diameter locking collar/locknut

### Additional information

1	Number of housings
1	Number of housings 2
FLAN90-MSB	Housing
FLAN90-MSA	Housing (Part 2)
EXZ	Fixing
GRAE50-XL-NPP-B	Bearing designation

### Temperature range

T <sub>min</sub>	-20 °C	Operating temperature min.
T <sub>max</sub>	120 °C	Operating temperature max.