

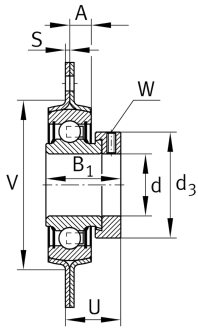
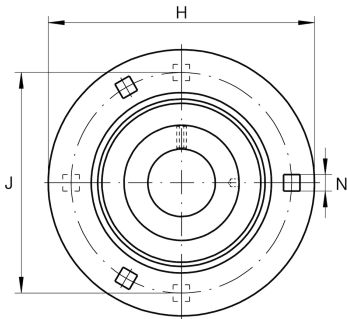
**RA25-XL**

Flanged housing unit

Flanged housing unit RA..-XL

X-life

Technical information



Your current product variant

Material Steel sheet

Main Dimensions & Performance Data

d	25 mm	Bore diameter
H	95 mm	Height flange
H	95 mm	Flange width
U	25,5 mm	Total height unit
B ₁	31 mm	Locking collar total width
C _{ur}	410 N	Fatigue load limit, radial
C _r	14.000 N	Basic dynamic load rating, radial
C _{0r}	7.800 N	Basic static load rating, radial
C _{0r G}	3.650 N	Load carrying capacity (housing)
m	0,37 kg	Weight

Mounting dimensions

J	76 mm	Pitch circle diameter (holes)
N	8,7 mm	Fixing square
n	3	Number of screwing holes



Dimensions

A	8,7 mm	Height housing
S	2 mm	Thickness of flange
V	60 mm	Shoulder diameter housing
d ₃	37,5 mm	Outside diameter locking collar/locknut

Additional information

2	Number of housings
FLAN52-MSB-FA125	Housing
EXZ	Fixing
RAE25-XL-NPP-B	Bearing designation

Temperature range

T _{min}	-20 °C	Operating temperature min.
T _{max}	120 °C	Operating temperature max.