

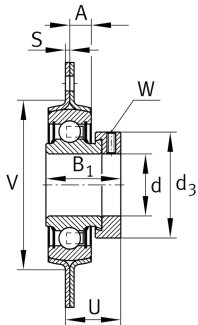
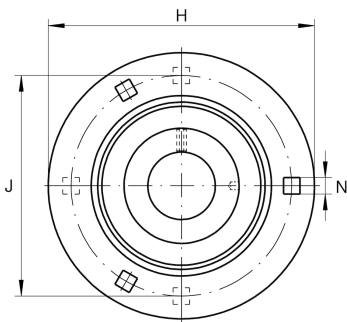
**RA35-XL**

Flanged housing unit

Flanged housing unit RA..-XL

X-life

Technical information



Your current product variant

Material Steel sheet

Main Dimensions & Performance Data

d	35 mm	Bore diameter
H	122 mm	Height flange
H	122 mm	Flange width
U	31,9 mm	Total height unit
B ₁	39 mm	Locking collar total width
C _{ur}	650 N	Fatigue load limit, radial
C _r	25.500 N	Basic dynamic load rating, radial
C _{0r}	15.300 N	Basic static load rating, radial
C _{0rG}	6.400 N	Load carrying capacity (housing)
m	0,85 kg	Weight

Mounting dimensions

J	100 mm	Pitch circle diameter (holes)
N	10,5 mm	Fixing square
n	3	Number of screwing holes



Dimensions

A	9,5 mm	Height housing
S	2,5 mm	Thickness of flange
V	81 mm	Shoulder diameter housing
d ₃	55 mm	Outside diameter locking collar/locknut

Additional information

2	Number of housings
FLAN72-MSB-FA125	Housing
EXZ	Fixing
RAE35-XL-NPP-B	Bearing designation

Temperature range

T _{min}	-20 °C	Operating temperature min.
T _{max}	120 °C	Operating temperature max.