

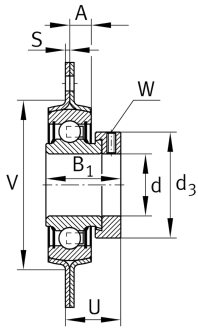
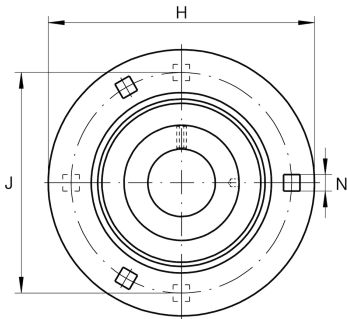
**RA40-XL**

Flanged housing unit

Flanged housing unit RA..-XL

X-life

Technical information



Your current product variant

Material Steel sheet

Main Dimensions & Performance Data

d	40 mm	Bore diameter
H	147,5 mm	Height flange
H	147,5 mm	Flange width
U	36,2 mm	Total height unit
B ₁	43,8 mm	Locking collar total width
C _{ur}	1.030 N	Fatigue load limit, radial
C _r	34.500 N	Basic dynamic load rating, radial
C _{0r}	19.800 N	Basic static load rating, radial
C _{0rG}	7.700 N	Load carrying capacity (housing)
m	1,32 kg	Weight

Mounting dimensions

J	119 mm	Pitch circle diameter (holes)
N	13,5 mm	Fixing square
n	4	Number of screwing holes



Dimensions

A	10,3 mm	Height housing
S	3,5 mm	Thickness of flange
V	90 mm	Shoulder diameter housing
d ₃	58 mm	Outside diameter locking collar/locknut

Additional information

2	Number of housings
FLAN80-MSB-FA125	Housing
EXZ	Fixing
RAE40-XL-NPP-B	Bearing designation

Temperature range

T _{min}	-20 °C	Operating temperature min.
T _{max}	120 °C	Operating temperature max.