

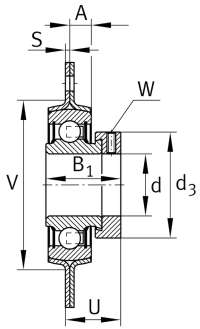
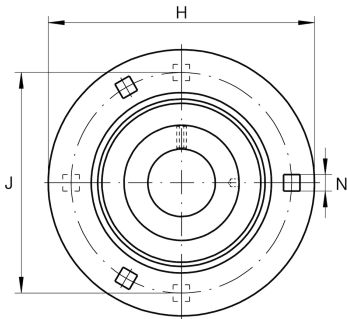
**RA45-XL**

Flanged housing unit

Flanged housing unit RA..-XL

X-life

Technical information



Your current product variant

Material Steel sheet

Main Dimensions & Performance Data

| | | |
|-------------------|----------|-----------------------------------|
| d | 45 mm | Bore diameter |
| H | 149,2 mm | Height flange |
| H | 149,2 mm | Flange width |
| U | 36,2 mm | Total height unit |
| B ₁ | 43,8 mm | Locking collar total width |
| C _{ur} | 970 N | Fatigue load limit, radial |
| C _r | 32.500 N | Basic dynamic load rating, radial |
| C _{0r} | 20.400 N | Basic static load rating, radial |
| C _{0r G} | 7.700 N | Load carrying capacity (housing) |
| m | 1,41 kg | Weight |

Mounting dimensions

| | | |
|---|----------|-------------------------------|
| J | 120,5 mm | Pitch circle diameter (holes) |
| N | 13,5 mm | Fixing square |
| n | 4 | Number of screwing holes |



Dimensions

| | | |
|----------------|---------|---|
| A | 11,1 mm | Height housing |
| S | 3,5 mm | Thickness of flange |
| V | 95 mm | Shoulder diameter housing |
| d ₃ | 63 mm | Outside diameter locking collar/locknut |

Additional information

| | |
|------------------|---------------------|
| 2 | Number of housings |
| FLAN85-MSB-FA125 | Housing |
| EXZ | Fixing |
| RAE45-XL-NPP-B | Bearing designation |

Temperature range

| | | |
|------------------|--------|----------------------------|
| T _{min} | -20 °C | Operating temperature min. |
| T _{max} | 120 °C | Operating temperature max. |