

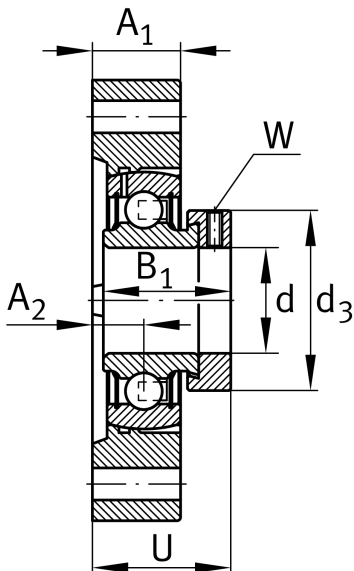
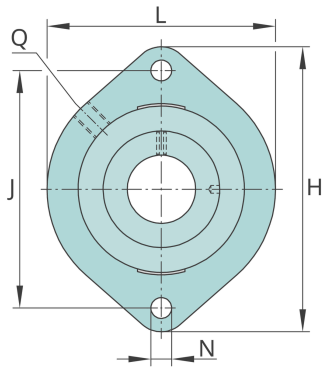
**GLCTE20-XL**

## Flanged housing unit

Housing units GLCTE, two-bolt flanged housing units, cast iron, eccentric locking collar, P seals

X-life

## Technical information



## Your current product variant

Material	GG	Grey cast iron
----------	----	----------------

## Main Dimensions &amp; Performance Data

d	20 mm	Bore diameter
L	66,5 mm	Flange width
H	90,5 mm	Height flange
U	33 mm	Total height unit
C <sub>r</sub>	13.600 N	Basic dynamic load rating, radial
C <sub>0r</sub>	6.600 N	Basic static load rating, radial
C <sub>ur</sub>	345 N	Fatigue load limit, radial
≈m	0,47 kg	Weight

## Mounting dimensions

J	71,4 mm	Distance fixing bore
N	9 mm	Fixing bore
n	2	Number of screwing holes



### Dimensions

A <sub>1</sub>	17 mm	Thickness of flange
A <sub>2</sub>	9,5 mm	Distance raceway
B <sub>1</sub>	31 mm	Locking collar total width
Q	M6	Connection thread for lubrication
d <sub>3</sub>	33 mm	Outside diameter eccentric locking collar

### Additional information

1	Number of housings
GLCTE04	Housing
GRAE20-XL-NPP-B	Bearing designation

### Temperature range

T <sub>min</sub>	-20 °C	Operating temperature min.
T <sub>max</sub>	120 °C	Operating temperature max.