

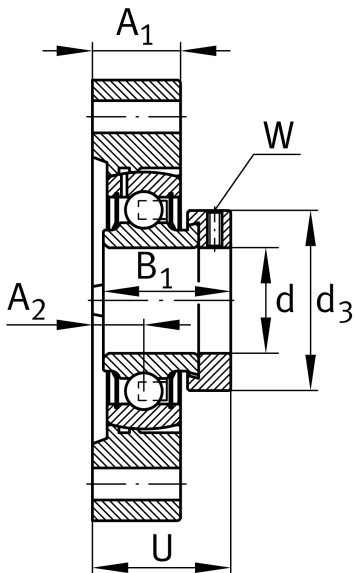
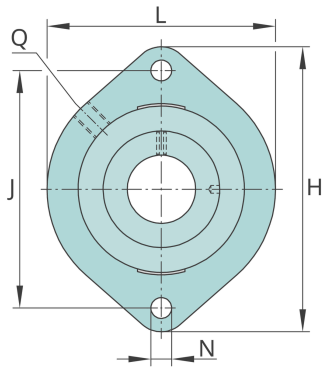
**GLCTE25-XL**

Flanged housing unit

Housing units GLCTE, two-bolt flanged housing units, cast iron, eccentric locking collar, P seals

X-life

Technical information



Your current product variant

Material	GG	Grey cast iron
----------	----	----------------

Main Dimensions & Performance Data

d	25 mm	Bore diameter
L	71 mm	Flange width
H	97 mm	Height flange
U	33,4 mm	Total height unit
C _r	14.000 N	Basic dynamic load rating, radial
C _{0r}	7.800 N	Basic static load rating, radial
C _{ur}	370 N	Fatigue load limit, radial
≈m	0,47 kg	Weight

Mounting dimensions

J	76,2 mm	Distance fixing bore
N	9 mm	Fixing bore
W	3 mm	Width across flats
n	2	Number of screwing holes



Dimensions

A ₁	19,5 mm	Thickness of flange
A ₂	9,9 mm	Distance raceway
B ₁	31 mm	Locking collar total width
Q	M6	Connection thread for lubrication
d ₃	37,5 mm	Outside diameter eccentric locking collar

Additional information

GEHGLCTE05-GG	Housing
GRAE25-NPP-B- OSE	Bearing designation

Temperature range

T _{min}	-20 °C	Operating temperature min.
T _{max}	100 °C	Operating temperature max.