

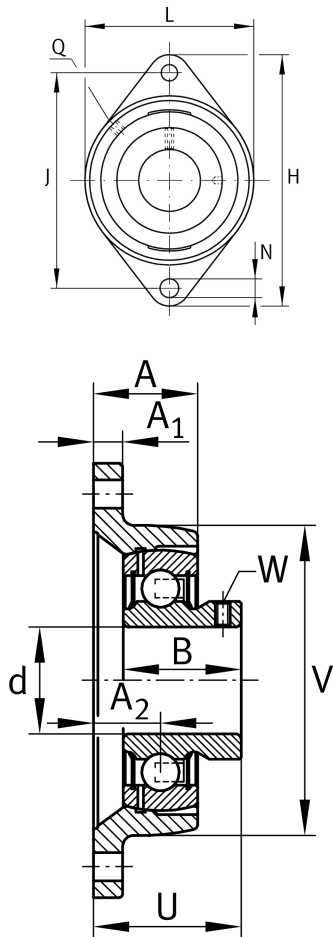
**PCJTY20-XL-N**

## Flanged housing unit

Housing units PCJTY, two-bolt flanged housing units, cast iron, grub screws in inner ring, P seals

X-life

## Technical information



## Your current product variant

Groove	N	Cast iron housing with undercut slot for end caps
Material	GG	Grey cast iron

## Main Dimensions &amp; Performance Data

d	20 mm	Bore diameter
L	61 mm	Flange width
H	112 mm	Height flange
U	37 mm	Total height unit
$C_r$	13.600 N	Basic dynamic load rating, radial
$C_{0r}$	6.600 N	Basic static load rating, radial
$C_{ur}$	345 N	Fatigue load limit, radial
$\approx m$	0,454 kg	Weight

## Mounting dimensions

J	90 mm	Distance fixing bore
N	11,5 mm	Fixing bore
n	2	Number of screwing holes



### Dimensions

A	28 mm	Height housing
A <sub>1</sub>	10 mm	Thickness of flange
A <sub>2</sub>	19 mm	Distance raceway
B	25 mm	Width
V	61 mm	Shoulder diameter housing
Q	M6	Connection thread for lubrication

### Additional information

1	Number of housings
CJT04	Housing
GAY20-XL-NPP-B	Bearing designation
KASK04	Protecting cap

### Temperature range

T <sub>min</sub>	-20 °C	Operating temperature min.
T <sub>max</sub>	120 °C	Operating temperature max.