

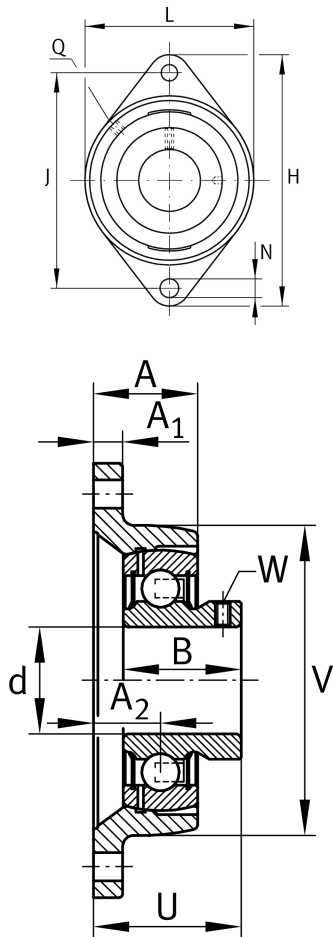
**PCJTY25-XL-N**

Flanged housing unit

Housing units PCJTY, two-bolt flanged housing units, cast iron, grub screws in inner ring, P seals

X-life

Technical information



Your current product variant

Groove	N	Cast iron housing with undercut slot for end caps
Material	GG	Grey cast iron

Main Dimensions & Performance Data

d	25 mm	Bore diameter
L	70 mm	Flange width
H	124 mm	Height flange
U	38,5 mm	Total height unit
C _r	14.000 N	Basic dynamic load rating, radial
C _{0r}	7.800 N	Basic static load rating, radial
C _{ur}	335 N	Fatigue load limit, radial
≈m	0,55 kg	Weight

Mounting dimensions

J	99 mm	Distance fixing bore
N	11,5 mm	Fixing bore
W	2,5 mm	Width across flats
n	2	Number of screwing holes



Dimensions

A	28,5 mm	Height housing
A ₁	11 mm	Thickness of flange
A ₂	19 mm	Distance raceway
B	27 mm	Width
V	70 mm	Shoulder diameter housing
Q	M6	Connection thread for lubrication

Additional information

GEHCJT05-GG-N	Housing
GAY25-XL-NPP-B	Bearing designation
KASK05	Protecting cap

Temperature range

T _{min}	-20 °C	Operating temperature min.
T _{max}	100 °C	Operating temperature max.