

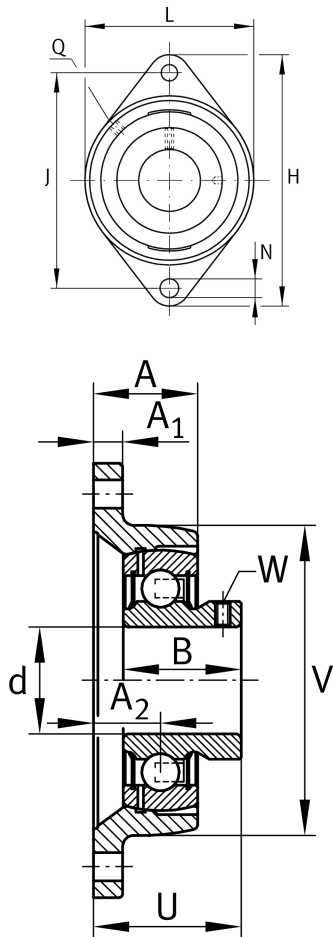
**PCJTY40-XL-N**

Flanged housing unit

Housing units PCJTY, two-bolt flanged housing units, cast iron, grub screws in inner ring, P seals

X-life

Technical information



Your current product variant

Groove	N	Cast iron housing with undercut slot for end caps
Material	GG	Grey cast iron

Main Dimensions & Performance Data

d	40 mm	Bore diameter
L	105 mm	Flange width
H	172 mm	Height flange
U	52,95 mm	Total height unit
C_r	34.500 N	Basic dynamic load rating, radial
C_{0r}	19.800 N	Basic static load rating, radial
C_{ur}	910 N	Fatigue load limit, radial
$\approx m$	1,4 kg	Weight

Mounting dimensions

J	143,5 mm	Distance fixing bore
N	14 mm	Fixing bore
W	4 mm	Width across flats
n	2	Number of screwing holes



Dimensions

A	36,5 mm	Height housing
A ₁	13 mm	Thickness of flange
A ₂	24 mm	Distance raceway
B	39,45 mm	Width
V	105 mm	Shoulder diameter housing
Q	M6	Connection thread for lubrication

Additional information

GEHCJT08-GG-N	Housing
GAY40-XL-NPP-B	Bearing designation
KASK08	Protecting cap

Temperature range

T _{min}	-20 °C	Operating temperature min.
T _{max}	100 °C	Operating temperature max.