

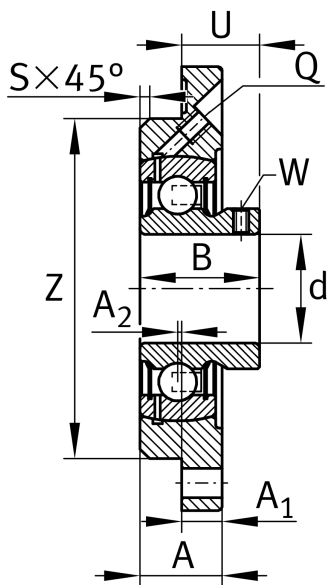
**PMEY45-XL**

## Flanged housing unit

Housing units PMEY, four-bolt flanged housing units, cast iron, centring spigot, grub screws in inner ring, P seals

X-life

## Technical information



## Your current product variant

Material	GG	Grey cast iron
----------	----	----------------

## Main Dimensions &amp; Performance Data

d	45 mm	Bore diameter
H	155 mm	Height flange
U	28,5 mm	Total height unit
C <sub>r</sub>	32.500 N	Basic dynamic load rating, radial
C <sub>0r</sub>	20.400 N	Basic static load rating, radial
C <sub>ur</sub>	870 N	Fatigue load limit, radial
≈m	1,79 kg	Weight

## Mounting dimensions

J	130 mm	Pitch circle diameter (holes)
N	14 mm	Fixing bore
Z	105 mm	Diameter spigot
	h8	Diameter spigot clearance
n	4	Number of screwing holes



### Dimensions

A	25 mm	Height housing
A <sub>1</sub>	12 mm	Thickness of flange
A <sub>2</sub>	2 mm	Distance raceway
B	41,5 mm	Width
S	2 mm	Chamfer width
Q	M6	Connection thread for lubrication

### Additional information

1	Number of housings
ME09	Housing
GAY45-XL-NPP-B	Bearing designation

### Temperature range

T <sub>min</sub>	-20 °C	Operating temperature min.
T <sub>max</sub>	120 °C	Operating temperature max.