

**PMEY35-XL-N**

Flanged housing unit

Housing units PMEY, four-bolt flanged housing units, cast iron, centring spigot, grub screws in inner ring, P seals

X-life

Technical information



Your current product variant

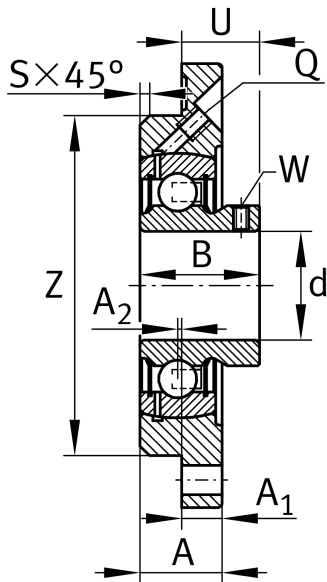
Groove	N	Cast iron housing with undercut slot for end caps
Material	GG	Grey cast iron

Main Dimensions & Performance Data

d	35 mm	Bore diameter
H	135 mm	Height flange
U	24,45 mm	Total height unit
C_r	27.500 N	Basic dynamic load rating, radial
C_{0r}	15.300 N	Basic static load rating, radial
C_{ur}	800 N	Fatigue load limit, radial
m	1,18 kg	Weight

Mounting dimensions

J	110 mm	Pitch circle diameter (holes)
N	11,5 mm	Fixing bore
Z	90 mm	Diameter spigot
	h8	Diameter spigot clearance
n	4	Number of screwing holes





Dimensions

A	20,5 mm	Height housing
A ₁	10 mm	Thickness of flange
A ₂	1 mm	Distance raceway
B	35 mm	Width
S	2 mm	Chamfer width
Q	M6	Connection thread for lubrication

Additional information

1	Number of housings
ME07	Housing
GAY35-XL-NPP-B	Bearing designation
KASK07	Protecting cap

Temperature range

T _{min}	-20 °C	Operating temperature min.
T _{max}	120 °C	Operating temperature max.