

**PMEY60-XL-N**

Flanged housing unit

Housing units PMEY, four-bolt flanged housing units, cast iron, centring spigot, grub screws in inner ring, P seals

X-life

Technical information



Your current product variant

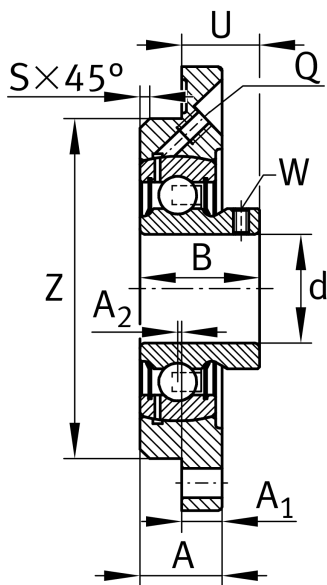
Groove	N	Cast iron housing with undercut slot for end caps
Material	GG	Grey cast iron

Main Dimensions & Performance Data

d	60 mm	Bore diameter
H	195 mm	Height flange
U	33 mm	Total height unit
C_r	56.000 N	Basic dynamic load rating, radial
C_{0r}	36.000 N	Basic static load rating, radial
C_{ur}	1.530 N	Fatigue load limit, radial
m	3,4 kg	Weight

Mounting dimensions

J	160 mm	Pitch circle diameter (holes)
N	18 mm	Fixing bore
Z	135 mm	Diameter spigot
	h8	Diameter spigot clearance
n	4	Number of screwing holes





Dimensions

A	29 mm	Height housing
A ₁	16 mm	Thickness of flange
A ₂	1 mm	Distance raceway
B	47 mm	Width
S	3 mm	Chamfer width
Q	M6	Connection thread for lubrication

Additional information

1	Number of housings
ME12	Housing
GAY60-XL-NPP-B	Bearing designation
KASK12	Protecting cap

Temperature range

T _{min}	-20 °C	Operating temperature min.
T _{max}	120 °C	Operating temperature max.