

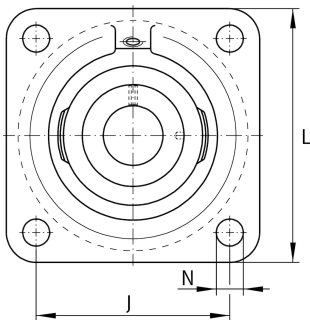
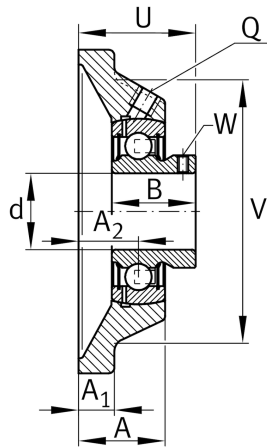
**PCJY20-XL-N**

Flanged housing unit

Housing units PCJY, four-bolt flanged housing units, cast iron, grub screws in inner ring, P seals

X-life

Technical information



Your current product variant

Groove	N	Cast iron housing with undercut slot for end caps
Material	GG	Grey cast iron

Main Dimensions & Performance Data

d	20 mm	Bore diameter
L	86 mm	Flange width
U	37 mm	Total height unit
C _r	13.600 N	Basic dynamic load rating, radial
C _{0r}	6.600 N	Basic static load rating, radial
C _{ur}	345 N	Fatigue load limit, radial
m	0,56 kg	Weight

Mounting dimensions

J	63,5 mm	Distance fixing bore
N	11,5 mm	Fixing bore
n	4	Number of screwing holes



Dimensions

A	29 mm	Height housing
A ₁	10 mm	Thickness of flange
A ₂	19 mm	Distance raceway
B	25 mm	Width
V	68 mm	Shoulder diameter housing
Q	M6	Connection thread for lubrication

Additional information

1	Number of housings
CJ04	Housing
GAY20-XL-NPP-B	Bearing designation
KASK04	Protecting cap

Temperature range

T _{min}	-20 °C	Operating temperature min.
T _{max}	120 °C	Operating temperature max.