

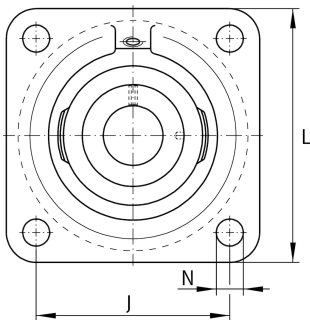
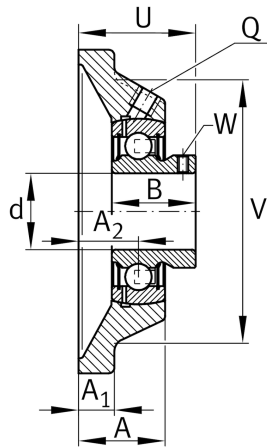
**PCJY35-XL-N**

Flanged housing unit

Housing units PCJY, four-bolt flanged housing units, cast iron, grub screws in inner ring, P seals

X-life

Technical information



Your current product variant

Groove	N	Cast iron housing with undercut slot for end caps
Material	GG	Grey cast iron

Main Dimensions & Performance Data

d	35 mm	Bore diameter
L	118 mm	Flange width
U	46,45 mm	Total height unit
C _r	27.500 N	Basic dynamic load rating, radial
C _{0r}	15.300 N	Basic static load rating, radial
C _{ur}	800 N	Fatigue load limit, radial
≈m	1,39 kg	Weight

Mounting dimensions

J	92 mm	Distance fixing bore
N	14 mm	Fixing bore
W	3 mm	Width of flats
n	4	Number of screwing holes



Dimensions

A	32,5 mm	Height housing
A ₁	12,5 mm	Thickness of flange
A ₂	21 mm	Distance raceway
B	34,95 mm	Width
V	100 mm	Shoulder diameter housing
Q	M6	Connection thread for lubrication

Additional information

GEHCJ07-GG-N	Housing
GAY35-XL-NPP-B	Bearing designation
KASK07	Protecting cap

Temperature range

T _{min}	-20 °C	Operating temperature min.
T _{max}	100 °C	Operating temperature max.