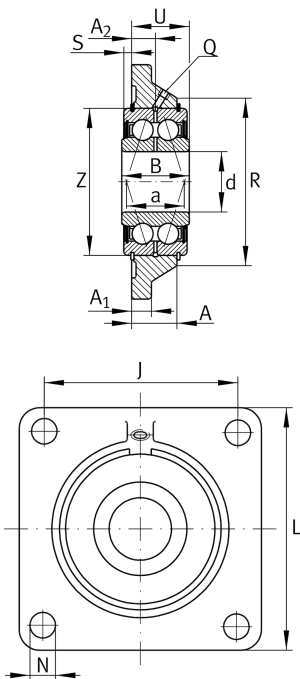


**PCCJ35**

Flanged housing unit

Housing units PCCJ, four-bolt flanged housing units, cast iron, double row angular contact ball bearing, P seals

Technical information



Your current product variant

Material	GG	Grey cast iron
----------	----	----------------

Main Dimensions & Performance Data

d	35 mm	Bore diameter
L	118 mm	Flange width
U	31,7 mm	Total height unit
C _r	39.500 N	Basic dynamic load rating, radial
C _{0r}	29.000 N	Basic static load rating, radial
C _{ur}	1.490 N	Fatigue load limit, radial
≈m	1,48 kg	Weight

Mounting dimensions

J	92 mm	Distance fixing bore
N	14 mm	Fixing bore
n	4	Number of screwing holes

Dimensions

A	26 mm	Height housing
A ₁	14 mm	Thickness of flange
A ₂	14 mm	Distance raceway
B	36 mm	Width
Q	M6	Connection thread for lubrication



Additional information

1	Number of housings
CCJ07	Housing
G5207-2RS-N	Bearing designation

Temperature range

T _{min}	-20 °C	Operating temperature min.
T _{max}	120 °C	Operating temperature max.