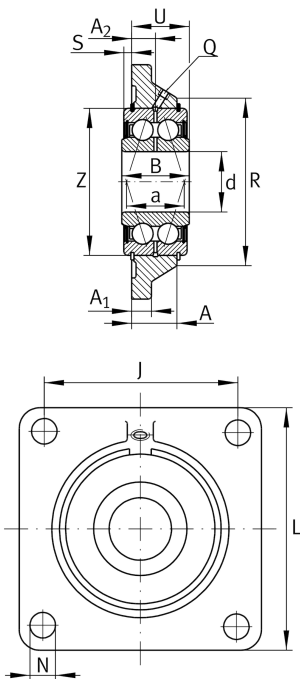


**PCCJ40**

## Flanged housing unit

Housing units PCCJ, four-bolt flanged housing units, cast iron, double row angular contact ball bearing, P seals

## Technical information



## Your current product variant

Material	GG	Grey cast iron
----------	----	----------------

## Main Dimensions &amp; Performance Data

d	40 mm	Bore diameter
L	130 mm	Flange width
U	33,7 mm	Total height unit
C <sub>r</sub>	50.000 N	Basic dynamic load rating, radial
C <sub>0r</sub>	38.000 N	Basic static load rating, radial
C <sub>ur</sub>	1.940 N	Fatigue load limit, radial
≈m	2,01 kg	Weight

## Mounting dimensions

J	101,5 mm	Distance fixing bore
N	14 mm	Fixing bore
n	4	Number of screwing holes

## Dimensions

A	28 mm	Height housing
A <sub>1</sub>	14 mm	Thickness of flange
A <sub>2</sub>	15 mm	Distance raceway
B	38 mm	Width
Q	M6	Connection thread for lubrication



### Additional information

1	Number of housings
CCJ08	Housing
G5208-2RS-N	Bearing designation

### Temperature range

T <sub>min</sub>	-20 °C	Operating temperature min.
T <sub>max</sub>	120 °C	Operating temperature max.