

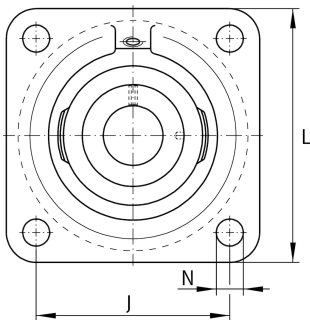
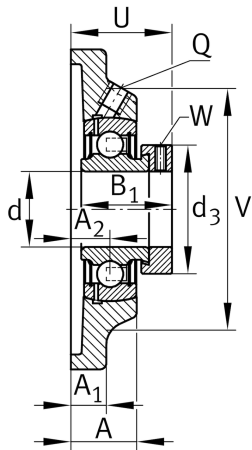
**PCF40-XL**

Flanged housing unit

Housing units PCF, four-bolt flanged housing units, cast iron, eccentric locking collar, P seals

X-life

Technical information



Your current product variant

Material	GG	Grey cast iron
----------	----	----------------

Main Dimensions & Performance Data

d	40 mm	Bore diameter
L	130 mm	Flange width
U	51 mm	Total height unit
C _r	32.500 N	Basic dynamic load rating, radial
C _{0r}	19.800 N	Basic static load rating, radial
C _{ur}	1.030 N	Fatigue load limit, radial
≈m	1,77 kg	Weight

Mounting dimensions

J	101,5 mm	Distance fixing bore
N	14 mm	Fixing bore
n	4	Number of screwing holes



Dimensions

A	28,8 mm	Height housing
A ₁	13 mm	Thickness of flange
A ₂	18,3 mm	Distance raceway
V	110 mm	Shoulder diameter housing
Q	M6	Connection thread for lubrication
d ₃	58 mm	Outside diameter locking device

Additional information

1	Number of housings
CF08	Housing
GRAE40-XL-NPP-B	Bearing designation

Temperature range

T _{min}	-20 °C	Operating temperature min.
T _{max}	120 °C	Operating temperature max.