

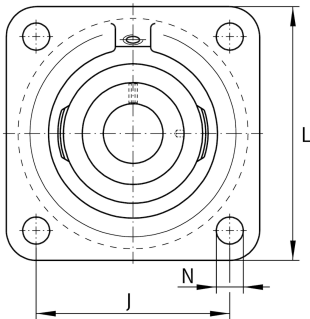
**PCJ25-XL-N-FA125**

## Flanged housing unit

Housing units PCJ...-FA125, four-bolt flanged housing units, cast iron, eccentric locking collar, P seals, with anti-corrosion protection

X-life

## Technical information

**Your current product variant**

Groove	N	Cast iron housing with undercut slot for end caps
Material	GG	Grey cast iron
Manufacturing instruction	FA125	Unit with Corroctect coating, corrosion-resistant

**Main Dimensions & Performance Data**

d	25 mm	Bore diameter
L	95 mm	Flange width
U	42,5 mm	Total height unit
C <sub>r</sub>	14.900 N	Basic dynamic load rating, radial
C <sub>0r</sub>	7.800 N	Basic static load rating, radial
C <sub>ur</sub>	410 N	Fatigue load limit, radial
≈m	0,76 kg	Weight

**Mounting dimensions**

J	70 mm	Distance fixing bore
N	11,5 mm	Fixing bore
n	4	Number of screwing holes



### Dimensions

A	29 mm	Height housing
A <sub>1</sub>	11 mm	Thickness of flange
A <sub>2</sub>	19 mm	Distance raceway
V	74 mm	Shoulder diameter housing
Q	M6	Connection thread for lubrication
d <sub>3</sub>	37,5 mm	Outside diameter locking device

### Additional information

1	Number of housings
CJ05	Housing
GRAE25-XL-NPP-B-FA125	Bearing designation
KASK05	Protecting cap

### Temperature range

T <sub>min</sub>	-20 °C	Operating temperature min.
T <sub>max</sub>	120 °C	Operating temperature max.