

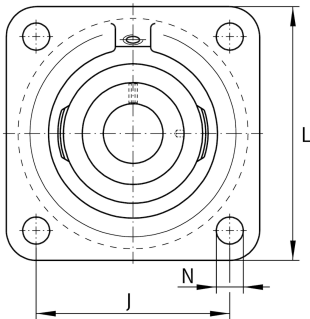
**PCJ35-XL-N-FA125**

## Flanged housing unit

Housing units PCJ...-FA125, four-bolt flanged housing units, cast iron, eccentric locking collar, P seals, with anti-corrosion protection

X-life

## Technical information



## Your current product variant

Groove	N	Cast iron housing with undercut slot for end caps
Material	GG	Grey cast iron
Manufacturing instruction	FA125	Unit with Corroctect coating, corrosion-resistant

## Main Dimensions &amp; Performance Data

d	35 mm	Bore diameter
L	118 mm	Flange width
U	50,5 mm	Total height unit
C <sub>r</sub>	27.500 N	Basic dynamic load rating, radial
C <sub>0r</sub>	15.300 N	Basic static load rating, radial
C <sub>ur</sub>	650 N	Fatigue load limit, radial
≈m	1,46 kg	Weight

## Mounting dimensions

J	92 mm	Distance fixing bore
N	14 mm	Fixing bore
W	5 mm	Width across flats
n	4	Number of screwing holes



### Dimensions

A	32,5 mm	Height housing
A <sub>1</sub>	12,5 mm	Thickness of flange
A <sub>2</sub>	21 mm	Distance raceway
B <sub>1</sub>	39 mm	Locking collar total width
V	100 mm	Shoulder diameter housing
Q	M6	Connection thread for lubrication
d <sub>3</sub>	55 mm	Outside diameter locking device

### Additional information

GEHCJ07-GG-N- FA125.1	Housing
GRAE35-XL-NPP-B- FA125.5	Bearing designation
KASK07	Protecting cap

### Temperature range

T <sub>min</sub>	-20 °C	Operating temperature min.
T <sub>max</sub>	120 °C	Operating temperature max.