

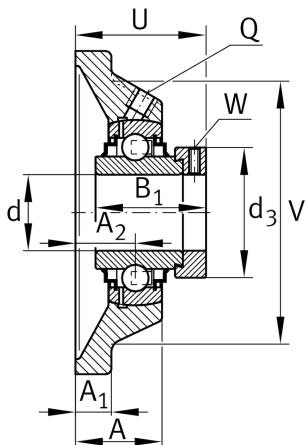
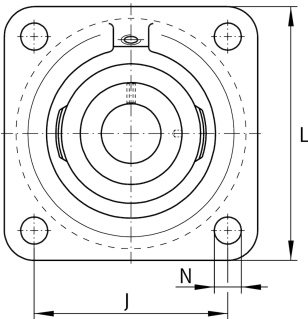
**RCJ40-XL-N-FA125**

Flanged housing unit

Housing units RCJ...FA125, four-bolt flanged housing units, cast iron, eccentric locking collar, R seals, with anti-corrosion protection

X-life

Technical information

**Your current product variant**

Groove	N	Cast iron housing with undercut slot for end caps
Material	GG	Grey cast iron
Manufacturing instruction	FA125	Unit with Corroctect coating, corrosion-resistant

Main Dimensions & Performance Data

d	40 mm	Bore diameter
L	130 mm	Flange width
U	59,1 mm	Total height unit
C _r	34.500 N	Basic dynamic load rating, radial
C _{0r}	19.800 N	Basic static load rating, radial
C _{ur}	840 N	Fatigue load limit, radial
≈m	1,98 kg	Weight

Mounting dimensions

J	101,5 mm	Distance fixing bore
N	14 mm	Fixing bore
n	4	Number of screwing holes



Dimensions

A	36,5 mm	Height housing
A ₁	13 mm	Thickness of flange
A ₂	24 mm	Distance raceway
V	110 mm	Shoulder diameter housing
Q	M6	Connection thread for lubrication
d ₃	58 mm	Outside diameter locking device

Additional information

1	Number of housings
CJ08	Housing
GE40-XL-KRR-B-FA125	Bearing designation
KASK08	Protecting cap

Temperature range

T _{min}	-20 °C	Operating temperature min.
T _{max}	120 °C	Operating temperature max.