

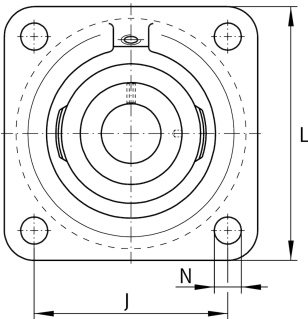
**RCJO90-XL**

Flanged housing unit

Housing units RCJO, four-bolt flanged housing units, cast iron, eccentric locking collar, series 63, R seals

X-life

Technical information

**Your current product variant**

Material	GG	Grey cast iron
----------	----	----------------

Main Dimensions & Performance Data

d	90 mm	Bore diameter
L	280 mm	Flange width
U	114 mm	Total height unit
C _r	143.000 N	Basic dynamic load rating, radial
C _{0r}	107.000 N	Basic static load rating, radial
C _{ur}	3.850 N	Fatigue load limit, radial
≈m	21,76 kg	Weight

Mounting dimensions

J	216 mm	Distance fixing bore
N	28 mm	Fixing bore
n	4	Number of screwing holes



Dimensions

A	85 mm	Height housing
A ₁	28,5 mm	Thickness of flange
A ₂	48,5 mm	Distance raceway
V	230 mm	Shoulder diameter housing
Q	M6	Connection thread for lubrication
d ₃	132 mm	Outside diameter locking device

Additional information

1	Number of housings
CJO18	Housing
GNE90-XL-KRR-B	Bearing designation

Temperature range

T _{min}	-20 °C	Operating temperature min.
T _{max}	120 °C	Operating temperature max.