

**TCJ40-XL-N**

Flanged housing unit

Housing units TCJ, four-bolt flanged housing units, cast iron, eccentric locking collar, T seals

X-life

Technical information



Your current product variant

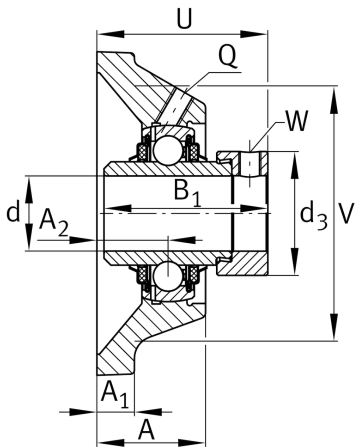
Groove	N	Cast iron housing with undercut slot for end caps
Material	GG	Grey cast iron

Main Dimensions & Performance Data

d	40 mm	Bore diameter
L	130 mm	Flange width
U	59,1 mm	Total height unit
C_r	34.500 N	Basic dynamic load rating, radial
C_{0r}	19.800 N	Basic static load rating, radial
C_{ur}	840 N	Fatigue load limit, radial
m	2,02 kg	Weight

Mounting dimensions

J	101,5 mm	Distance fixing bore
N	14 mm	Fixing bore
W	5 mm	Width across flats
n	4	Number of screwing holes





Dimensions

A	36,5 mm	Height housing
A ₁	13 mm	Thickness of flange
A ₂	24 mm	Distance raceway
B ₁	56,5 mm	Locking collar total width
V	110 mm	Shoulder diameter housing
Q	M6	Connection thread for lubrication
d ₃	58 mm	Outside diameter locking device

Additional information

1	Number of housings
CJ08	Housing
GE40-XL-KTT-B	Bearing designation
KASK08	Protecting cap

Temperature range

T _{min}	-20 °C	Operating temperature min.
T _{max}	120 °C	Operating temperature max.