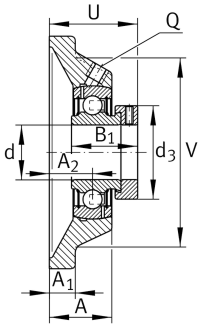
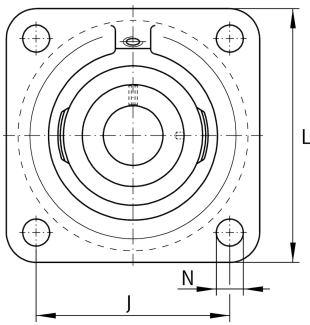


IMAGE
COMING SOON**PCJ20-TV-FA125.5**

Flanged housing unit

Flanged housing unit PCJ..-TV

Technical information

**Your current product variant**

Material	TV	Plastic
Manufacturing instruction	FA125.5	Bearing with Corroctect coating

Main Dimensions & Performance Data

d	20 mm	Bore diameter
L	86 mm	Flange width
U	41,5 mm	Total height unit
C _r	13.600 N	Basic dynamic load rating, radial
C _{0r}	6.600 N	Basic static load rating, radial
C _{0r G}	10.200 N	Load carrying capacity (housing)
≈m	0,33 kg	Weight

Mounting dimensions

J	63,5 mm	Distance fixing bore
N	11 mm	Fixing bore
n	4	Number of screwing holes



Dimensions

A	13,4 mm	Height housing
A ₁	13,4 mm	Thickness of flange
A ₂	18 mm	Distance raceway
V	63,5 mm	Shoulder diameter housing
Q	1/4-28 UNF	Connection thread for lubrication
d ₃	33 mm	Outside diameter locking device

Additional information

1	Number of housings
GEH.CJ04-TV-HLA	Housing
GRAE20-NPP-B-FA107/125.5	Bearing designation
KASK04	Protecting cap

Temperature range

T _{min}	-35 °C	Operating temperature min.
T _{max}	100 °C	Operating temperature max.