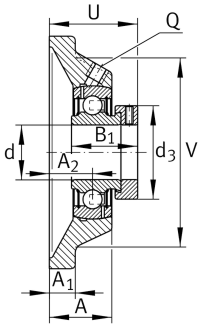
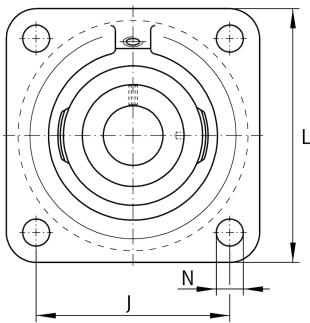


IMAGE
COMING SOON**PCJ25-TV-FA125.5** [↗](#)

Flanged housing unit

Flanged housing unit PCJ...-TV

Technical information

**Your current product variant**

Material	TV	Plastic
Manufacturing instruction	FA125.5	Bearing with Corroctect coating

Main Dimensions & Performance Data

d	25 mm	Bore diameter
L	94,5 mm	Flange width
U	40,5 mm	Total height unit
C _r	13.700 N	Basic dynamic load rating, radial
C _{0r}	7.100 N	Basic static load rating, radial
C _{0r G}	12.100 N	Load carrying capacity (housing)
≈m	0,39 kg	Weight

Mounting dimensions

J	70 mm	Distance fixing bore
N	11 mm	Fixing bore
n	4	Number of screwing holes



Dimensions

A	27,9 mm	Height housing
A ₁	14,3 mm	Thickness of flange
A ₂	17 mm	Distance raceway
V	70 mm	Shoulder diameter housing
Q	1/4-28 UNF	Connection thread for lubrication
d ₃	37,5 mm	Outside diameter locking device

Additional information

1	Number of housings
GEH.CJ05-TV-HLA	Housing
GRAE25-NPP-B-FA107/125.5	Bearing designation
KASK05	Protecting cap

Temperature range

T _{min}	-35 °C	Operating temperature min.
T _{max}	100 °C	Operating temperature max.