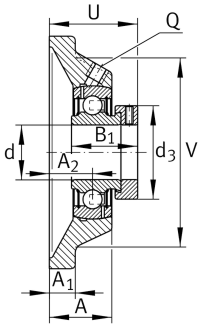
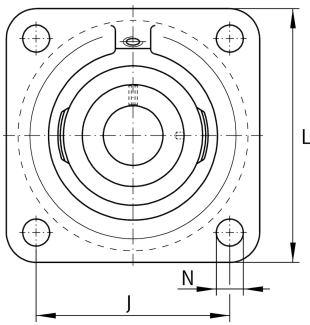


IMAGE
COMING SOON**PCJ35-TV-FA125.5** [↗](#)

Flanged housing unit

Flanged housing unit PCJ...-TV

Technical information

**Your current product variant**

Material	TV	Plastic
Manufacturing instruction	FA125.5	Bearing with Corroprotect coating

Main Dimensions & Performance Data

d	35 mm	Bore diameter
L	117 mm	Flange width
U	51 mm	Total height unit
C _r	22.500 N	Basic dynamic load rating, radial
C _{0r}	12.500 N	Basic static load rating, radial
C _{0r G}	18.500 N	Load carrying capacity (housing)
≈m	0,79 kg	Weight

Mounting dimensions

J	92 mm	Distance fixing bore
N	13 mm	Fixing bore
n	4	Number of screwing holes



Dimensions

A	34,8 mm	Height housing
A ₁	15,5 mm	Thickness of flange
A ₂	21,5 mm	Distance raceway
V	90 mm	Shoulder diameter housing
Q	1/4-28 UNF	Connection thread for lubrication
d ₃	55 mm	Outside diameter locking device

Additional information

1	Number of housings
GEH.CJ07-TV-HLA	Housing
GRAE35-NPP-B-FA107/125.5	Bearing designation
KASK07	Protecting cap

Temperature range

T _{min}	-35 °C	Operating temperature min.
T _{max}	100 °C	Operating temperature max.