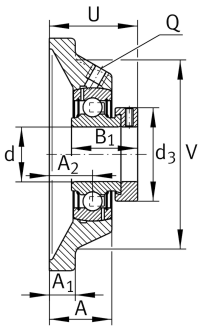
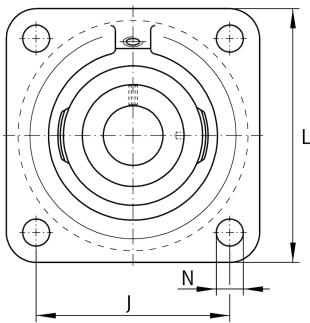


IMAGE
COMING SOON**PCJ50-TV-FA125.5** [↗](#)

Flanged housing unit

Flanged housing unit PCJ...-TV

Technical information

**Your current product variant**

| | | |
|---------------------------|-------|--|
| Material | TV | Plastic |
| Manufacturing instruction | FA125 | Unit with Corrotect coating, corrosion-resistant |

Main Dimensions & Performance Data

| | | |
|------------------|----------|-----------------------------------|
| d | 50 mm | Bore diameter |
| L | 143 mm | Flange width |
| U | 57,8 mm | Total height unit |
| C _r | 34.000 N | Basic dynamic load rating, radial |
| C _{0r} | 20.800 N | Basic static load rating, radial |
| C _{0rG} | 19.600 N | Load carrying capacity (housing) |
| ≈m | 1,32 kg | Weight |

Mounting dimensions

| | | |
|---|--------|--------------------------|
| J | 111 mm | Distance fixing bore |
| N | 17 mm | Fixing bore |
| n | 4 | Number of screwing holes |



Dimensions

| | | |
|----------------|------------|-----------------------------------|
| A | 43 mm | Height housing |
| A ₁ | 21 mm | Thickness of flange |
| A ₂ | 25 mm | Distance raceway |
| V | 115 mm | Shoulder diameter housing |
| Q | 1/4-28 UNF | Connection thread for lubrication |
| d ₃ | 69 mm | Outside diameter locking device |

Additional information

| | |
|--------------------------|---------------------|
| 1 | Number of housings |
| GEH.CJ10-TV-HLA | Housing |
| GRAE50-NPP-B-FA107/125.5 | Bearing designation |
| KASK10 | Protecting cap |

Temperature range

| | | |
|------------------|--------|----------------------------|
| T _{min} | -35 °C | Operating temperature min. |
| T _{max} | 100 °C | Operating temperature max. |