

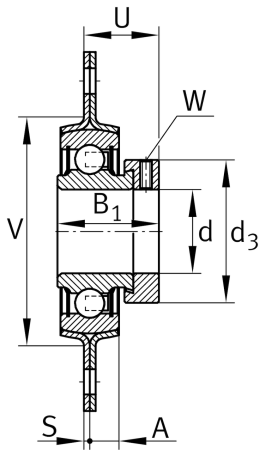
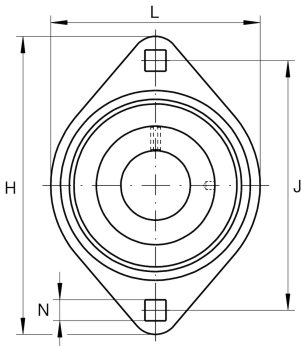
**RAT15-XL**

## Flanged housing unit

Housing units RAT, two-bolt flanged housing units, sheet steel, eccentric locking collar, P seals

X-life

## Technical information



## Your current product variant

Material	Steel sheet
----------	-------------

## Main Dimensions &amp; Performance Data

d	15 mm	Bore diameter
L	58,7 mm	Flange width
H	81 mm	Height flange
H	81 mm	Flange width
U	24 mm	Total height unit
C <sub>r</sub>	9.800 N	Basic dynamic load rating, radial
C <sub>0r</sub>	4.750 N	Basic static load rating, radial
C <sub>ur</sub>	248 N	Fatigue load limit, radial
C <sub>0rG</sub>	2.700 N	Load carrying capacity (housing)
C <sub>g</sub>	2.700 N	Load carrying capacity (housing)
m	0,16 kg	Weight

## Mounting dimensions

J	63,5 mm	Distance fixing bore
N	7,1 mm	Fixing square
n	2	Number of screwing holes



### Dimensions

A	7 mm	Height housing
S <sub>1</sub>	2 mm	Thickness of flange
S	2 mm	Thickness of flange
V	48 mm	Shoulder diameter housing

### Additional information

2	Number of housings
FLAN40-MST	Housing
RAE15-XL-NPP-B	Bearing designation

### Temperature range

T <sub>min</sub>	-20 °C	Operating temperature min.
T <sub>max</sub>	120 °C	Operating temperature max.