

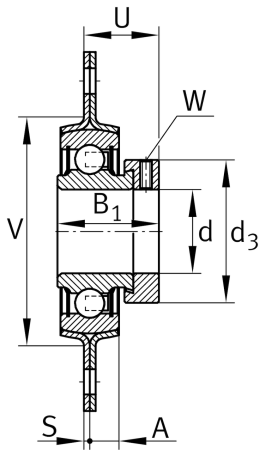
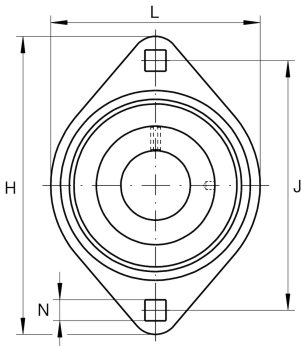
**RAT30-XL**

Flanged housing unit

Housing units RAT, two-bolt flanged housing units, sheet steel, eccentric locking collar, P seals

X-life

Technical information



Your current product variant

Material	Steel sheet
----------	-------------

Main Dimensions & Performance Data

d	30 mm	Bore diameter
L	84 mm	Flange width
H	112,7 mm	Height flange
H	112,7 mm	Flange width
U	29,2 mm	Total height unit
C _r	19.500 N	Basic dynamic load rating, radial
C _{0r}	11.300 N	Basic static load rating, radial
C _{ur}	480 N	Fatigue load limit, radial
C _{0rG}	5.000 N	Load carrying capacity (housing)
C _g	5.000 N	Load carrying capacity (housing)
m	0,464 kg	Weight

Mounting dimensions

J	90,5 mm	Distance fixing bore
N	10,5 mm	Fixing square
n	2	Number of screwing holes



Dimensions

A	8,7 mm	Height housing
S ₁	2,5 mm	Thickness of flange
S	2,5 mm	Thickness of flange
V	71 mm	Shoulder diameter housing

Additional information

2	Number of housings
FLAN62-MST	Housing
RAE30-XL-NPP-B	Bearing designation

Temperature range

T _{min}	-20 °C	Operating temperature min.
T _{max}	120 °C	Operating temperature max.