

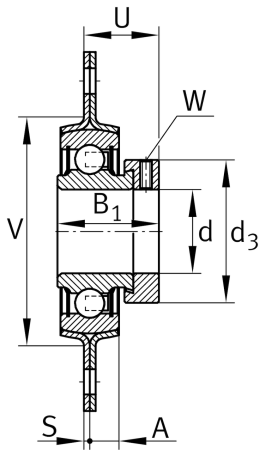
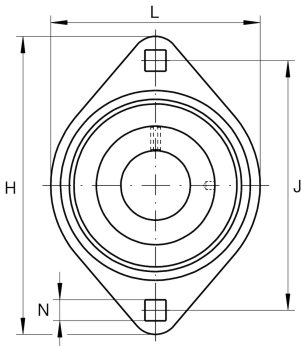
**RAT35-XL**

Flanged housing unit

Housing units RAT, two-bolt flanged housing units, sheet steel, eccentric locking collar, P seals

X-life

Technical information



Your current product variant

Material	Steel sheet
----------	-------------

Main Dimensions & Performance Data

d	35 mm	Bore diameter
L	94 mm	Flange width
H	123 mm	Height flange
H	122 mm	Flange width
U	31,5 mm	Total height unit
C _r	27.500 N	Basic dynamic load rating, radial
C _{0r}	15.300 N	Basic static load rating, radial
C _{ur}	650 N	Fatigue load limit, radial
C _{0rG}	6.300 N	Load carrying capacity (housing)
C _g	6.300 N	Load carrying capacity (housing)
m	0,72 kg	Weight

Mounting dimensions

J	100 mm	Distance fixing bore
N	10,5 mm	Fixing square
n	2	Number of screwing holes



Dimensions

A	10,5 mm	Height housing
S ₁	2,5 mm	Thickness of flange
S	2,5 mm	Thickness of flange
V	81 mm	Shoulder diameter housing

Additional information

2	Number of housings
FLAN72-MST	Housing
RAE35-XL-NPP-B	Bearing designation

Temperature range

T _{min}	-20 °C	Operating temperature min.
T _{max}	120 °C	Operating temperature max.