

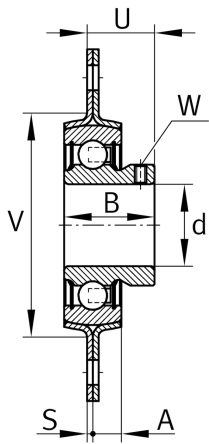
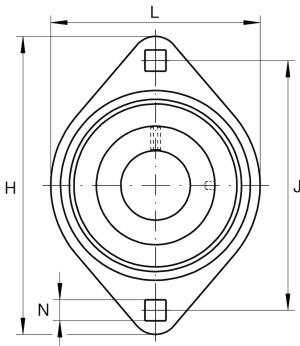
**RATY25-XL**

Flanged housing unit

Housing units RATY, two-bolt flanged housing units, sheet steel, grub screws in inner ring, P seals

X-life

Technical information



Your current product variant

Material	Steel sheet
----------	-------------

Main Dimensions & Performance Data

d	25 mm	Bore diameter
L	71 mm	Flange width
H	95,2 mm	Height flange
U	21,5 mm	Total height unit
C _r	14.000 N	Basic dynamic load rating, radial
C _{0r}	7.800 N	Basic static load rating, radial
C _{ur}	335 N	Fatigue load limit, radial
C _{0rG}	3.650 N	Load carrying capacity (housing)
C _g	3.650 N	Load carrying capacity (housing)
≈m	0,25 kg	Weight

Mounting dimensions

J	76,2 mm	Distance fixing bore
N	8,7 mm	Fixing bore
N	8,7 mm	Fixing square
n	2	Number of screwing holes



Dimensions

A	8,7 mm	Height housing
B	27 mm	Width
S ₁	2 mm	Thickness of flange
S	2 mm	Thickness of flange
V	60 mm	Shoulder diameter housing

Additional information

2	Number of housings
FLAN52-MST	Housing
AY25-XL-NPP-B	Bearing designation

Temperature range

T _{min}	-20 °C	Operating temperature min.
T _{max}	120 °C	Operating temperature max.