

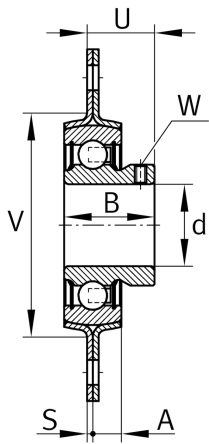
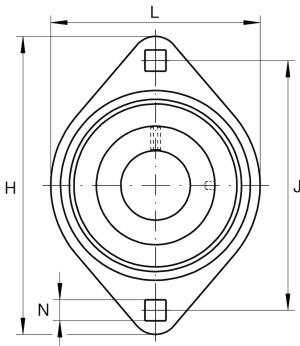
**RATY30-XL**

Flanged housing unit

Housing units RATY, two-bolt flanged housing units, sheet steel, grub screws in inner ring, P seals

X-life

Technical information



Your current product variant

Material	Steel sheet
----------	-------------

Main Dimensions & Performance Data

d	30 mm	Bore diameter
L	84 mm	Flange width
H	112,7 mm	Height flange
U	23,5 mm	Total height unit
C _r	19.500 N	Basic dynamic load rating, radial
C _{0r}	11.300 N	Basic static load rating, radial
C _{ur}	480 N	Fatigue load limit, radial
C _{0rG}	5.000 N	Load carrying capacity (housing)
C _g	5.000 N	Load carrying capacity (housing)
m	0,42 kg	Weight

Mounting dimensions

J	90,5 mm	Distance fixing bore
N	10,5 mm	Fixing bore
N	10,5 mm	Fixing square
n	2	Number of screwing holes



Dimensions

A	8,7 mm	Height housing
B	30 mm	Width
S ₁	2,5 mm	Thickness of flange
S	2,5 mm	Thickness of flange
V	71 mm	Shoulder diameter housing

Additional information

2	Number of housings
FLAN62-MST	Housing
AY30-XL-NPP-B	Bearing designation

Temperature range

T _{min}	-20 °C	Operating temperature min.
T _{max}	120 °C	Operating temperature max.