

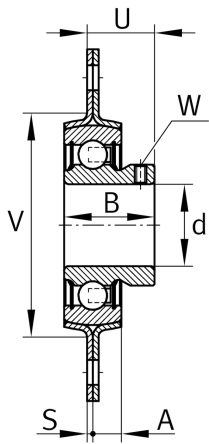
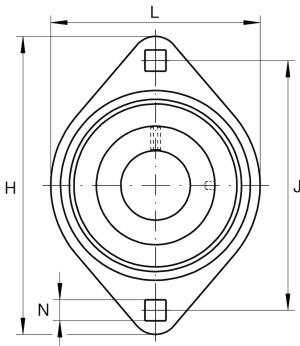
**RATY40-XL**

Flanged housing unit

Housing units RATY, two-bolt flanged housing units, sheet steel, grub screws in inner ring, P seals

X-life

Technical information



Your current product variant

Material	Steel sheet
----------	-------------

Main Dimensions & Performance Data

d	40 mm	Bore diameter
L	100 mm	Flange width
H	151 mm	Height flange
U	32,5 mm	Total height unit
C _r	32.500 N	Basic dynamic load rating, radial
C _{0r}	19.800 N	Basic static load rating, radial
C _{ur}	910 N	Fatigue load limit, radial
C _{0rG}	7.000 N	Load carrying capacity (housing)
C _g	7.000 N	Load carrying capacity (housing)
≈m	0,91 kg	Weight

Mounting dimensions

J	119 mm	Distance fixing bore
N	13,5 mm	Fixing bore
N	13,5 mm	Fixing square
n	2	Number of screwing holes



Dimensions

A	11,5 mm	Height housing
B	39,5 mm	Width
S ₁	3,5 mm	Thickness of flange
S	3,5 mm	Thickness of flange
V	90 mm	Shoulder diameter housing

Additional information

2	Number of housings
FLAN80-MST	Housing
GAY40-XL-NPP-B	Bearing designation

Temperature range

T _{min}	-20 °C	Operating temperature min.
T _{max}	120 °C	Operating temperature max.