

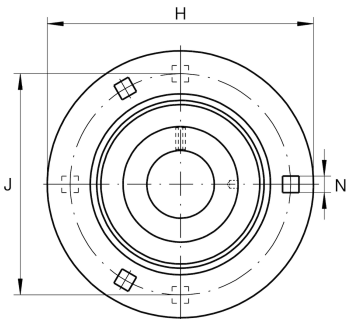
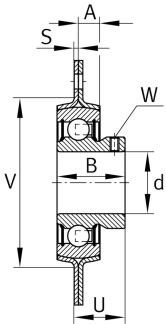
**RAY15-XL**

## Flanged housing unit

Housing units RAY, three/four-bolt flanged housing units, sheet steel, grub screws in inner ring, P seals

X-life

## Technical information



## Your current product variant

Material	Steel sheet
----------	-------------

## Main Dimensions &amp; Performance Data

d	15 mm	Bore diameter
H	81 mm	Height flange
H	81 mm	Flange width
U	18 mm	Total height unit
C <sub>r</sub>	10.100 N	Basic dynamic load rating, radial
C <sub>0r</sub>	4.750 N	Basic static load rating, radial
C <sub>0r G</sub>	2.700 N	Load carrying capacity (housing)
≈m	0,23 kg	Weight

## Mounting dimensions

J	63,5 mm	Pitch circle diameter (holes)
N	7,1 mm	Fixing square
n	3	Number of screwing holes



### Dimensions

A	7 mm	Height housing
B	22 mm	Width
S	2 mm	Thickness of flange
V	48 mm	Shoulder diameter housing

### Additional information

2	Number of housings
FLAN40-MSB	Housing
AY15-XL-NPP-B	Bearing designation

### Temperature range

T <sub>min</sub>	-20 °C	Operating temperature min.
T <sub>max</sub>	120 °C	Operating temperature max.