

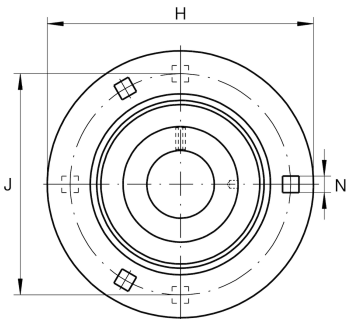
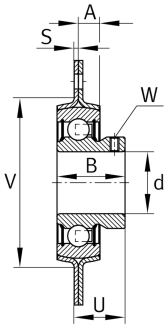
**RAY17-XL**

Flanged housing unit

Housing units RAY, three/four-bolt flanged housing units, sheet steel, grub screws in inner ring, P seals

X-life

Technical information



Your current product variant

Material	Steel sheet
----------	-------------

Main Dimensions & Performance Data

d	17 mm	Bore diameter
H	81 mm	Height flange
H	81 mm	Flange width
U	18 mm	Total height unit
C _r	10.100 N	Basic dynamic load rating, radial
C _{0r}	4.750 N	Basic static load rating, radial
C _{0r G}	2.700 N	Load carrying capacity (housing)
≈m	0,225 kg	Weight

Mounting dimensions

J	63,5 mm	Pitch circle diameter (holes)
N	7,1 mm	Fixing square
n	3	Number of screwing holes



Dimensions

A	7 mm	Height housing
B	22 mm	Width
S	2 mm	Thickness of flange
V	48 mm	Shoulder diameter housing

Additional information

2	Number of housings
FLAN40-MSB	Housing
AY17-XL-NPP-B	Bearing designation

Temperature range

T _{min}	-20 °C	Operating temperature min.
T _{max}	120 °C	Operating temperature max.