

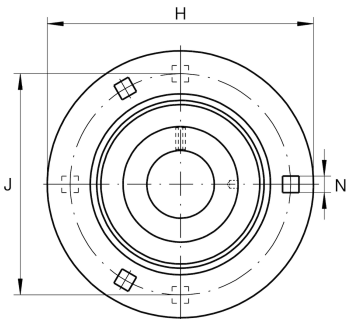
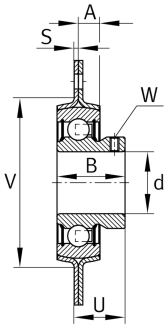
**RAY30-XL**

Flanged housing unit

Housing units RAY, three/four-bolt flanged housing units, sheet steel, grub screws in inner ring, P seals

X-life

Technical information



Your current product variant

Material	Steel sheet
----------	-------------

Main Dimensions & Performance Data

d	30 mm	Bore diameter
H	112,7 mm	Height flange
H	112,7 mm	Flange width
U	23,5 mm	Total height unit
C _r	19.500 N	Basic dynamic load rating, radial
C _{0r}	11.300 N	Basic static load rating, radial
C _{0r G}	5.000 N	Load carrying capacity (housing)
≈m	0,56 kg	Weight

Mounting dimensions

J	90,5 mm	Pitch circle diameter (holes)
N	10,5 mm	Fixing square
n	3	Number of screwing holes



Dimensions

A	8,7 mm	Height housing
B	30 mm	Width
S	2,5 mm	Thickness of flange
V	71 mm	Shoulder diameter housing

Additional information

2	Number of housings
FLAN62-MSB	Housing
AY30-XL-NPP-B	Bearing designation

Temperature range

T _{min}	-20 °C	Operating temperature min.
T _{max}	120 °C	Operating temperature max.