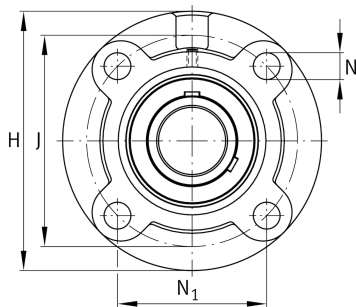


**FAG****UCFC202**

Flanged housing unit

Flanged housing unit UCFC

Technical information

**Your current product variant**

Material	GG	Grey cast iron
----------	----	----------------

Main Dimensions & Performance Data

d	15 mm	Bore diameter
H	100 mm	Height flange
U	28,3 mm	Total height unit
C _r	13.600 N	Basic dynamic load rating, radial
C _{0r}	6.600 N	Basic static load rating, radial
C _{ur}	345 N	Fatigue load limit, radial
≈m	0,75 kg	Weight

Mounting dimensions

J	78 mm	Pitch circle diameter (holes)
N	12 mm	Fixing bore
N ₁	55,1 mm	Distance fixing bore
T ₁	5 mm	Height spigot
Z	62 mm	Diameter spigot
	h8	Diameter spigot clearance
n	4	Number of screwing holes



Dimensions

A	20,5 mm	Height housing
A ₁	8 mm	Thickness of flange
A ₂	10 mm	Distance raceway
B	31 mm	Width
Q	M6	Connection thread for lubrication

Additional information

1	Number of housings
FC204	Housing
UC202	Bearing designation

Temperature range

T _{min}	-20 °C	Operating temperature min.
T _{max}	120 °C	Operating temperature max.