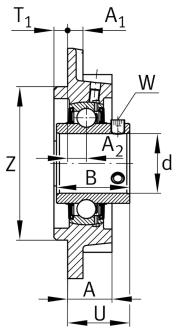
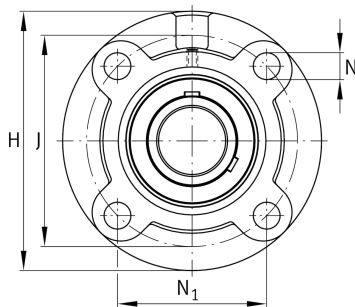
**FAG****UCFC209**

Flanged housing unit

Flanged housing unit UCFC

Technical information

**Your current product variant**

Material	GG	Grey cast iron
----------	----	----------------

Main Dimensions & Performance Data

d	45 mm	Bore diameter
H	160 mm	Height flange
U	40,2 mm	Total height unit
C _r	34.500 N	Basic dynamic load rating, radial
C _{0r}	20.400 N	Basic static load rating, radial
C _{ur}	1.060 N	Fatigue load limit, radial
≈m	2,774 kg	Weight

Mounting dimensions

J	132 mm	Pitch circle diameter (holes)
N	16 mm	Fixing bore
N ₁	93,3 mm	Distance fixing bore
T ₁	12 mm	Height spigot
Z	105 mm	Diameter spigot
	h8	Diameter spigot clearance
n	4	Number of screwing holes



Dimensions

A	26 mm	Height housing
A ₁	14 mm	Thickness of flange
A ₂	10 mm	Distance raceway
B	49,2 mm	Width
Q	M6	Connection thread for lubrication

Additional information

1	Number of housings
FC209	Housing
UC209	Bearing designation

Temperature range

T _{min}	-20 °C	Operating temperature min.
T _{max}	120 °C	Operating temperature max.