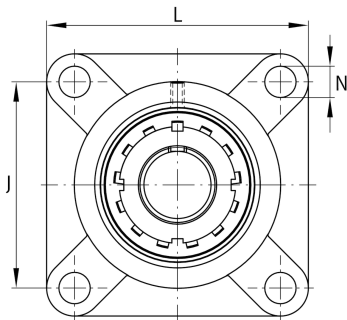
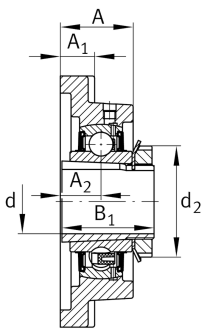
**FAG****UKF206**

Flanged housing unit

Flanged housing unit UKF

Technical information

**Your current product variant**

Material	GG	Grey cast iron
----------	----	----------------

Main Dimensions & Performance Data

d	25 mm	Bore diameter
L	108 mm	Flange width
C_r	20.700 N	Basic dynamic load rating, radial
C_{0r}	11.300 N	Basic static load rating, radial
C_{ur}	590 N	Fatigue load limit, radial
$\approx m$	1,17 kg	Weight

Mounting dimensions

J	83 mm	Distance fixing bore
N	12 mm	Fixing bore
n	4	Number of screwing holes

Dimensions

A	31 mm	Height housing
A_1	14 mm	Thickness of flange
A_2	18 mm	Distance raceway
B	25 mm	Width
B_1	38 mm	Locking collar total width
d_3	45 mm	Outside diameter eccentric locking collar



Additional information

1	Number of housings
F206	Housing
UK206	Bearing designation

Temperature range

T _{min}	-20 °C	Operating temperature min.
T _{max}	120 °C	Operating temperature max.