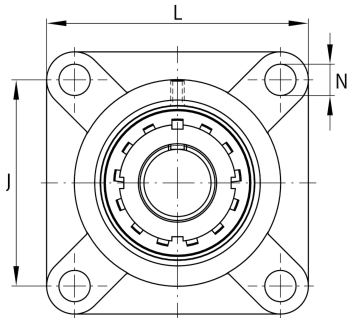
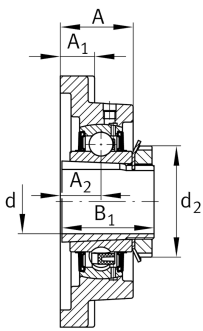


**FAG****UKF210**

Flanged housing unit

Flanged housing unit UKF

Technical information

**Your current product variant**

Material	GG	Grey cast iron
----------	----	----------------

Main Dimensions & Performance Data

d	45 mm	Bore diameter
L	143 mm	Flange width
C _r	37.500 N	Basic dynamic load rating, radial
C _{0r}	23.200 N	Basic static load rating, radial
C _{ur}	1.210 N	Fatigue load limit, radial
≈m	2,654 kg	Weight

Mounting dimensions

J	111 mm	Distance fixing bore
N	16 mm	Fixing bore
n	4	Number of screwing holes

Dimensions

A	40 mm	Height housing
A ₁	18 mm	Thickness of flange
A ₂	22 mm	Distance raceway
B	34 mm	Width
B ₁	55 mm	Locking collar total width
d ₃	70 mm	Outside diameter eccentric locking collar



Additional information

1	Number of housings
F2105	Housing
UK210	Bearing designation

Temperature range

T _{min}	-20 °C	Operating temperature min.
T _{max}	120 °C	Operating temperature max.