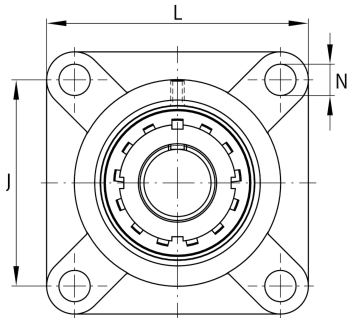
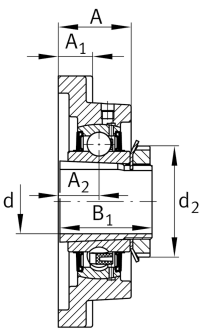


**FAG****UKF213**

Flanged housing unit

Flanged housing unit UKF

Technical information

**Your current product variant**

Material	GG	Grey cast iron
----------	----	----------------

Main Dimensions & Performance Data

d	60 mm	Bore diameter
L	187 mm	Flange width
C_r	61.000 N	Basic dynamic load rating, radial
C_{0r}	40.000 N	Basic static load rating, radial
C_{ur}	2.090 N	Fatigue load limit, radial
$\approx m$	5,06 kg	Weight

Mounting dimensions

J	149 mm	Distance fixing bore
N	19 mm	Fixing bore
n	4	Number of screwing holes

Dimensions

A	50 mm	Height housing
A ₁	20 mm	Thickness of flange
A ₂	30 mm	Distance raceway
B	41 mm	Width
B ₁	65 mm	Locking collar total width
d ₃	85 mm	Outside diameter eccentric locking collar



Additional information

1	Number of housings
F213	Housing
UK213	Bearing designation

Temperature range

T _{min}	-20 °C	Operating temperature min.
T _{max}	120 °C	Operating temperature max.