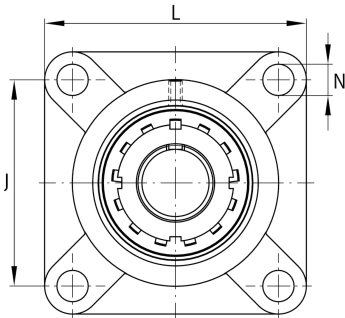
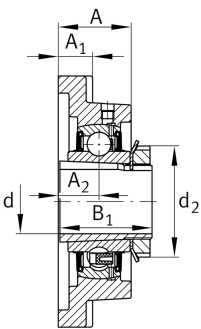


**FAG****UKF216**

Flanged housing unit

Flanged housing unit UKF

Technical information

**Your current product variant**

Material	GG	Grey cast iron
----------	----	----------------

Main Dimensions & Performance Data

d	70 mm	Bore diameter
L	208 mm	Flange width
C_r	76.000 N	Basic dynamic load rating, radial
C_{0r}	54.000 N	Basic static load rating, radial
C_{ur}	2.700 N	Fatigue load limit, radial
$\approx m$	7,93 kg	Weight

Mounting dimensions

J	165 mm	Distance fixing bore
N	23 mm	Fixing bore
n	4	Number of screwing holes

Dimensions

A	58 mm	Height housing
A_1	24 mm	Thickness of flange
A_2	34 mm	Distance raceway
B	46 mm	Width
B_1	78 mm	Locking collar total width
d_3	105 mm	Outside diameter eccentric locking collar



Additional information

1	Number of housings
F216	Housing
UK216	Bearing designation

Temperature range

T _{min}	-20 °C	Operating temperature min.
T _{max}	120 °C	Operating temperature max.