

**FAG****UKFC207**

Flanged housing unit

Flanged housing unit UKFC

Technical information

**Your current product variant**

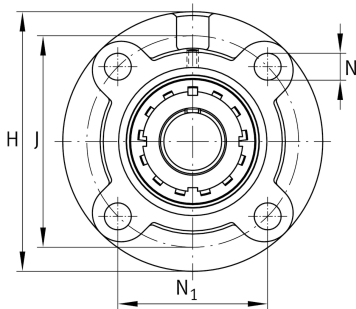
Material	GG	Grey cast iron
----------	----	----------------

Main Dimensions & Performance Data

d	30 mm	Bore diameter
H	135 mm	Height flange
U	35,7 mm	Total height unit
C _r	27.500 N	Basic dynamic load rating, radial
C _{0r}	15.300 N	Basic static load rating, radial
C _{ur}	800 N	Fatigue load limit, radial
≈m	1,784 kg	Weight

Mounting dimensions

J	110 mm	Pitch circle diameter (holes)
N	14 mm	Fixing bore
N ₁	77,8 mm	Distance fixing bore
T ₁	8 mm	Height spigot
Z	90 mm	Diameter spigot
	h8	Diameter spigot clearance
n	4	Number of screwing holes





Dimensions

A	26 mm	Height housing
A ₁	9 mm	Thickness of flange
A ₂	11 mm	Distance raceway
B	29 mm	Width
B ₁	43 mm	Locking collar total width
d ₃	52 mm	Outside diameter eccentric locking collar

Additional information

1	Number of housings
FC207	Housing
UK207	Bearing designation

Temperature range

T _{min}	-20 °C	Operating temperature min.
T _{max}	120 °C	Operating temperature max.