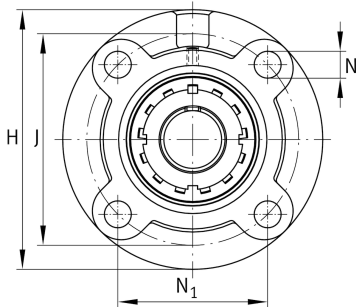


**FAG****UKFC215**

Flanged housing unit

Flanged housing unit UKFC

Technical information

**Your current product variant**

Material	GG	Grey cast iron
----------	----	----------------

Main Dimensions & Performance Data

d	65 mm	Bore diameter
H	220 mm	Height flange
U	55 mm	Total height unit
C _r	66.000 N	Basic dynamic load rating, radial
C _{0r}	44.500 N	Basic static load rating, radial
C _{ur}	2.300 N	Fatigue load limit, radial
≈m	7,7 kg	Weight

Mounting dimensions

J	184 mm	Pitch circle diameter (holes)
N	19 mm	Fixing bore
N ₁	130,1 mm	Distance fixing bore
T ₁	16 mm	Height spigot
Z	160 mm	Diameter spigot
	h8	Diameter spigot clearance
n	4	Number of screwing holes



Dimensions

A	40 mm	Height housing
A ₁	18 mm	Thickness of flange
A ₂	18 mm	Distance raceway
B	44,5 mm	Width
B ₁	73 mm	Locking collar total width
d ₃	98 mm	Outside diameter eccentric locking collar

Additional information

1	Number of housings
FC215	Housing
UK215	Bearing designation

Temperature range

T _{min}	-20 °C	Operating temperature min.
T _{max}	120 °C	Operating temperature max.