

**FAG****UKFC216**

Flanged housing unit

Flanged housing unit UKFC

Technical information

**Your current product variant**

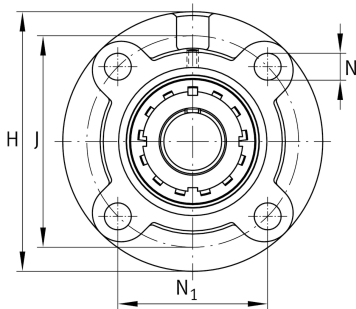
| | | |
|----------|----|----------------|
| Material | GG | Grey cast iron |
|----------|----|----------------|

Main Dimensions & Performance Data

| | | |
|-----------------|----------|-----------------------------------|
| d | 70 mm | Bore diameter |
| H | 240 mm | Height flange |
| U | 58,2 mm | Total height unit |
| C _r | 76.000 N | Basic dynamic load rating, radial |
| C _{0r} | 54.000 N | Basic static load rating, radial |
| C _{ur} | 2.700 N | Fatigue load limit, radial |
| ≈m | 9,33 kg | Weight |

Mounting dimensions

| | | |
|----------------|----------|-------------------------------|
| J | 200 mm | Pitch circle diameter (holes) |
| N | 23 mm | Fixing bore |
| N ₁ | 141,4 mm | Distance fixing bore |
| T ₁ | 16 mm | Height spigot |
| Z | 170 mm | Diameter spigot |
| | h8 | Diameter spigot clearance |
| n | 4 | Number of screwing holes |





Dimensions

| | | |
|----------------|--------|---|
| A | 42 mm | Height housing |
| A ₁ | 18 mm | Thickness of flange |
| A ₂ | 18 mm | Distance raceway |
| B | 46 mm | Width |
| B ₁ | 78 mm | Locking collar total width |
| d ₃ | 105 mm | Outside diameter eccentric locking collar |

Additional information

| | |
|-------|---------------------|
| 1 | Number of housings |
| FC216 | Housing |
| UK216 | Bearing designation |

Temperature range

| | | |
|------------------|--------|----------------------------|
| T _{min} | -20 °C | Operating temperature min. |
| T _{max} | 120 °C | Operating temperature max. |