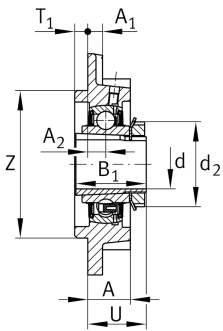


**FAG****UKFC218**

Flanged housing unit

Flanged housing unit UKFC

Technical information

**Your current product variant**

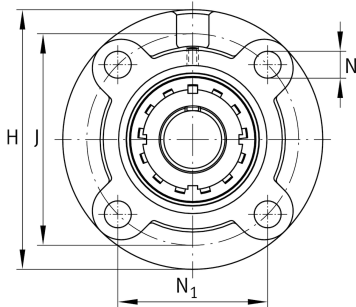
Material	GG	Grey cast iron
----------	----	----------------

Main Dimensions & Performance Data

d	80 mm	Bore diameter
H	265 mm	Height flange
U	65,7 mm	Total height unit
C _r	102.000 N	Basic dynamic load rating, radial
C _{0r}	72.000 N	Basic static load rating, radial
C _{ur}	3.350 N	Fatigue load limit, radial
≈m	12,76 kg	Weight

Mounting dimensions

J	220 mm	Pitch circle diameter (holes)
N	23 mm	Fixing bore
N ₁	155,55 mm	Distance fixing bore
T ₁	18 mm	Height spigot
Z	190 mm	Diameter spigot
	h8	Diameter spigot clearance
n	4	Number of screwing holes





Dimensions

A	50 mm	Height housing
A ₁	20 mm	Thickness of flange
A ₂	22 mm	Distance raceway
B	51 mm	Width
B ₁	86 mm	Locking collar total width
d ₃	120 mm	Outside diameter eccentric locking collar

Additional information

1	Number of housings
FC218	Housing
UK218	Bearing designation

Temperature range

T _{min}	-20 °C	Operating temperature min.
T _{max}	120 °C	Operating temperature max.