

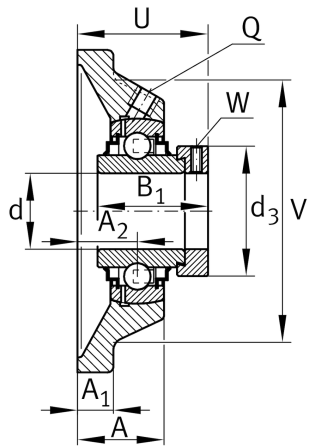
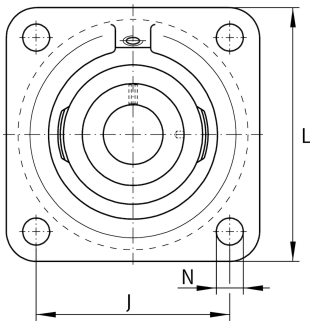
**RCJ40-XL-FA164**

Flanged housing unit

Housing units RCJ...FA164, four-bolt flanged housing units, cast iron, eccentric locking collar, R seals, for temperatures up to +250°C

X-life

Technical information

**Your current product variant**

Material	GG	Grey cast iron
Manufacturing instruction	FA164	High temperature design up to +250°C

Main Dimensions & Performance Data

L	130 mm	Flange width
U	59,1 mm	Total height unit
C _r	34.500 N	Basic dynamic load rating, radial
C _{0r}	19.800 N	Basic static load rating, radial
C _{ur}	940 N	Fatigue load limit, radial
≈m	1,97 kg	Weight

Mounting dimensions

J	101,5 mm	Distance fixing bore
N	14 mm	Fixing bore

Dimensions

A	36,5 mm	Height housing
A ₁	13 mm	Thickness of flange
A ₂	24 mm	Distance raceway
V	110 mm	Shoulder diameter housing
Q	M6	Connection thread for lubrication



Additional information

CJ08	Housing
GE40-XL-KRR-B-FA164	Bearing designation

Temperature range

T _{min}	150 °C	Operating temperature min.
T _{max}	250 °C	Operating temperature max.