

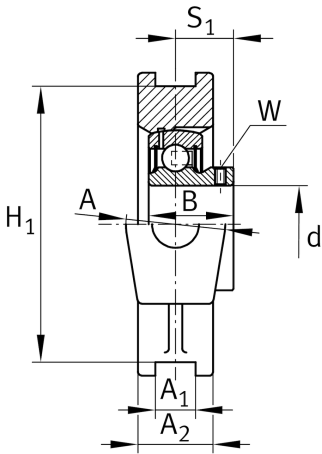
**PTUEY25-XL**

Take-up housing unit

Take-up housing units PTUEY, cast iron housing, radial insert ball bearing with grub screws in inner ring, P seals

X-life

Technical information



Your current product variant

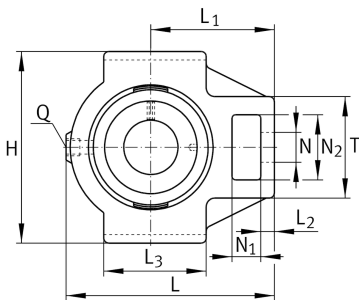
Material	GG	Grey cast iron
----------	----	----------------

Main Dimensions & Performance Data

d	25 mm	Bore diameter
H	90 mm	Height
L	98,5 mm	Length total
≈m	0,82 kg	Weight

Mounting dimensions

A ₁	12 mm	Width guidance groove
	H13	Width guidance groove clearance
H ₁	76 mm	Distance guidance grooves
	0,15 mm	Upper distance guidance groove tolerance
	-0,15 mm	Lower distance guidance groove tolerance
N	19 mm	Fixing bore





Dimensions

L ₁	62 mm	Distance shaft axis
L ₂	10 mm	Length fixed link
L ₃	50 mm	Length guidance groove
A	37 mm	Width housing fixing side
N ₁	18 mm	Width recess
N ₂	32 mm	Height recess
B	27 mm	Width inner ring
S ₁	19,5 mm	Distance of raceway to locking collar
T	51 mm	Height housing fixing side
Q	M6	Connection thread for lubrication
A ₂	25 mm	Width housing

Additional information

TUE05	Housing
GAY25-XL-NPP-B	Bearing designation

Temperature range

T _{min}	-20 °C	Operating temperature min.
T _{max}	120 °C	Operating temperature max.